

Avtron AV56A THIN-LINE III™ Encoders



Heavy Mill Duty Magnetic Modular Encoder 4.5" C-Face Mount

Magnetic Durability in a Compact Encoder

Heavy Mill Duty

Simple, Secure Installation

Wide-Gap Technology: No Sensor Scraping or Adjustment

Up to 50000 PPR

No Couplings or Bearings

Sealed Electronics

Self-Diagnostic LED and Alarm Output

Universal 5-24V Operation

3 Year No-Hassle Warranty

All models are protected against all short circuits and wiring errors

AV56A

AV56A THIN-LINE III™ heavy mill duty modular magnetic encoders fit standard 4.5" C-Face motors such as Marathon Blue and Black Max, as well as Baldor Reliance models. The stainless steel AV56S is designed for washdown and marine duty. Other THIN-LINE III models, ranging from 115mm to 8.5", are available to fit other motor sizes.

THIN-LINE III encoders feature simple installation, durable construction, and clear diagnostics to eliminate encoder-related downtime:

First, the magnetic sensors are fully potted, to withstand dirt and liquids. No glass disks, no optics to clog. There are no moving, wearing parts!

The patented Wide-Gap™ Cam Screw Rotors™ put an end to sensor damage, are simpler to install, and stay securely mounted to the shaft.

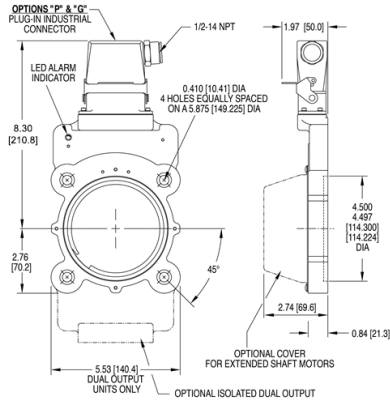
The universal 5-24V design drives longer cables and is protected against wiring errors and surges.

When you power up an AV56A, you know you installed it right: the green LED tells you the digital self-tuning has set your AV56A optimally.

If at any time, the AV56A cannot produce ideal signals, the LED changes to red and the remote alarm contact activates. Even wiring errors and short circuits are detected and indicated by changing the LED to orange. However, the encoder keeps working to give you time to schedule service.

With a real-world installation history of over 4,500,000 hour MTBF, AV56A encoders will keep your machine running 24/7/365!

OUTLINE DRAWING



MORE AV56A ADVANTAGES

- Replaces Avtron M56, Northstar/Dynapar™ D5, D560, SL56, ST56, Wind56; online cross reference guide available
- Shrugs off dirt, oil, and water contamination
- Highly resistant to electrical and magnetic motor and brake noise
- If damaged, electronics can be replaced without removing rotor
- Patented Cam Screw Rotor™ eliminates rotor slipping
- Built-in motor position guide and diagnostic check
- No air gap adjustment required
- Sealed thru-shaft option
- Fits shafts 0.500" - 3.188" [10 - 85 mm]
- 4,500,000+ hour MTBF design

MORE AV56A SPECIFICATIONS

Operating Power: Volts: 5 - 24 VDC; Current: 100mA, no load
 Output Format: A Quad B with Marker (A, /A, B, /B, Z, /Z)
 Second Isolated Output: Optional
 Frequency Range: @5V, @1m cable, 250 kHz Max
 @24V, @300m cable, #8 output, 45 kHz Max
 Maximum Cable Length: 1000' PPR: 4 - 5000
 Speed: 5400 RPM Max. std., for higher speeds, consult factory
 Electronics: Fully Encapsulated, IP67 (see manual for details)
 Temperature: -40° to 100°C (150°C rotor)
 Vibration: 18 g's
 Shock: 1 meter drop test
 Chemical: Polyurethane enamel paint protects against salt spray, mild acids, and bases.
 Weight: 2 - 3 lbs [0.9 - 1.36 kg]

All dimensions are in inches [millimeters]; Specifications and features are subject to change without notice.

Check out our website for more detailed specifications, drawings, and installation instructions. www.avtronencoders.com

SELECTION GUIDE

AV56A1CBE8YXP000

MODEL	HOUSING TYPE	ROTOR BORE SIZE	COVER STYLE	LINE DRIVER	LEFT OUTPUT PPR	RIGHT OUTPUT PPR	CONNECTOR OPTIONS	MODIFICATIONS
AV56A	1 - Single Output	CB - 5/8" Thru-Shaft Cam Screw Rotor	E - Extended (Pie-Pan Style) Cover	8 - 5-24V In/Out (HX) Hi-Power Line Driver, Fully Protected Outputs	Y - 1024 PPR	X - No Right Output, Single Output Only	P - Industrial (Mini EPIC Style) w/mating plug & remote alarm contact	000 - None