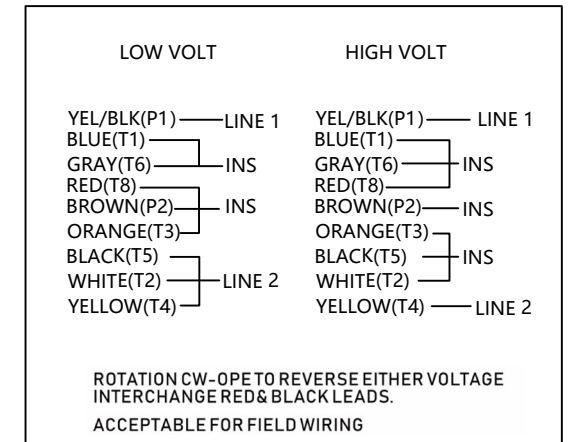
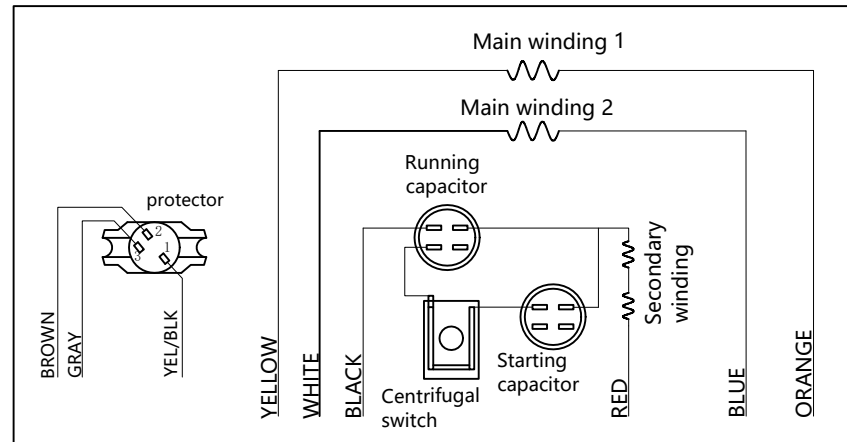


MODEL	ED4N1.5-1
PART	
HP	1.5
RPM	1725
VOLTAGE	115/208-230
FRAME	145T
FREQUENCY	60
CURRENT	14.6/7.3
EFF%	77%
POWER FACTOR	0.87
DUTY	CONT
SERVICE FACTOR	1.15
AMBIENT TEMP	40°C
INSULATION CLASS	F
RATED TORQUE	54.4LB. IN
LOCKED ROTOR TORQUE	157.81LB. in
BREAKDOWN TORQUE	136.6LB. IN
LOCKED ROTOR AMPS	88/44
KVA CODE	H
DE BEARING	6203RZ
ODE BEARING	6203RZ
ENCLOSURE	TEFC
PROTECTOR TYPE	MANUAL RESET
ROTATION	CCW/CW
BASE/FEET	RIGID



Unmarked tolerance:

- X.X ±0.2
- X.XX ±0.03

						Brook Crompton		
Tag	Number	Rejigger	Signature	Date	Drawing mark	Weight	Scale	ED4N1.5-1
Designed		Standard						
Collated		Confirm						
Checked		Date			Total page	NO.	page	