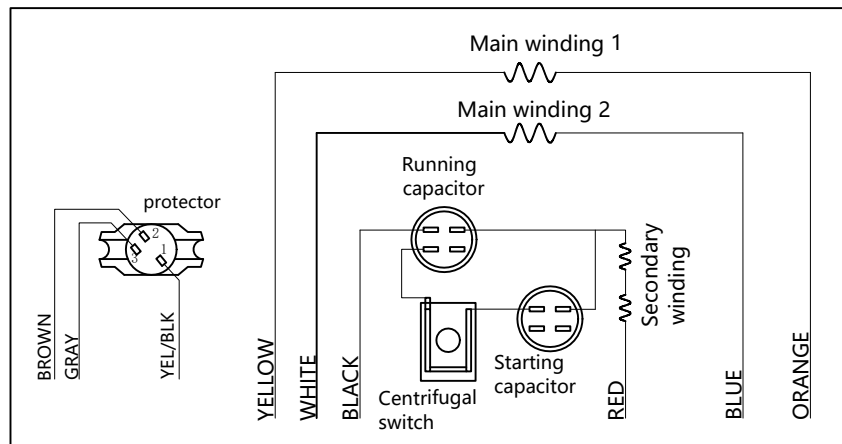


MODEL	EF4N.50-1
PART	
HP	1/2
RPM	1725
VOLTAGE	115/208-230
FRAME	56
FREQUENCY	60
CURRENT	9.0/4.5
EFF%	59%
POWER FACTOR	0.61
DUTY	CONT
SERVICE FACTOR	1.15
AMBIENT TEMP	40°C
INSULATION CLASS	F
RATED TORQUE	18.1LB.IN
LOCKED ROTOR TORQUE	61.7LB.in
BREAKDOWN TORQUE	54.4LB.IN
LOCKED ROTOR AMPS	49/24.5
KVA CODE	N
DE BEARING	6203RZ
ODE BEARING	6203RZ
ENCLOSURE	TEFC
PROTECTOR TYPE	MANUAL RESET
ROTATION	CCW/CW
BASE/FEET	RIGID



LOW VOLT	HIGH VOLT
YEL/BLK(P1) — LINE 1	YEL/BLK(P1) — LINE 1
BLUE(T1) — INS	BLUE(T1) — INS
GRAY(T6) — INS	GRAY(T6) — INS
RED(T8) — INS	RED(T8) — INS
BROWN(P2) — INS	BROWN(P2) — INS
ORANGE(T3) — INS	ORANGE(T3) — INS
BLACK(T5) — INS	BLACK(T5) — INS
WHITE(T2) — LINE 2	WHITE(T2) — LINE 2
YELLOW(T4) — INS	YELLOW(T4) — LINE 2

ROTATION CW- OPE TO REVERSE EITHER VOLTAGE
INTERCHANGE RED & BLACK LEADS.
ACCEPTABLE FOR FIELD WIRING

						Brook Crompton		
Tag	Number	Rejigger	Signature	Date	Drawing mark	Weight	Scale	EF4N.50-1
Designed		Standard						
Collated		Confirm						
Checked		Date			Total page	NO.	page	