



60HZ TECHNICAL DATA SHEET

CATALOG No: **HO6N030-4**

ISSUED: 20-Mar-24

GENERAL INFORMATION

HP	KW	Pole	RPM	Frame	Voltage	Hz	Phase	IP Rating
30	-	6	1200	326T	230/460 V	60	3	IP23

Enclosure	Ins. Class	Service Factor	Time Rating	NEMA Design	Rated Amb.	Rated Altitude
ODP	F	1.15	Continuous	B	-15 to 40 C*	<3300 ft

TYPICAL PERFORMANCE

Efficiency (%)			Power Factor (%)	
Full Load	3/4 Load	1/2 Load	Full Load	
93.6	93.6	92.4	76.60	

Full Load Amps 460 V	Full Load RPM
39	1190

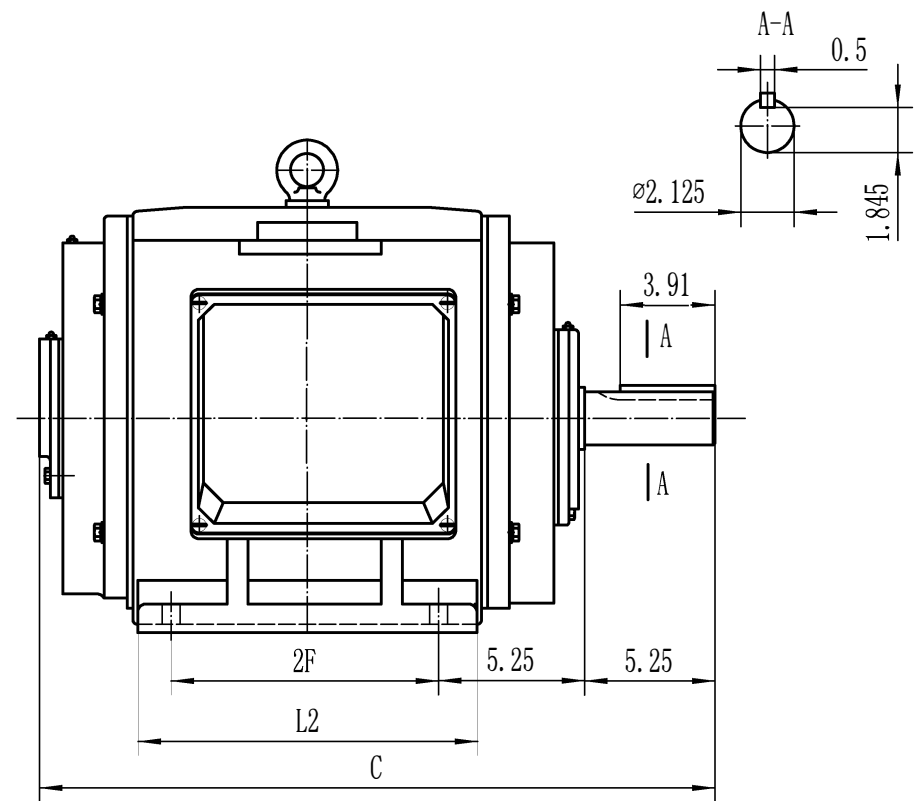
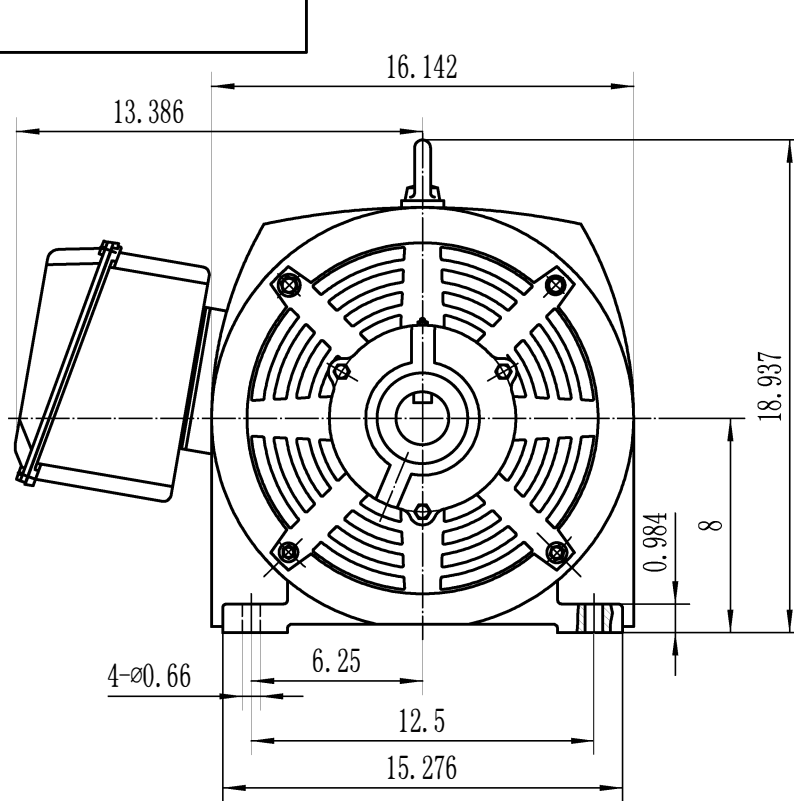
NEMA KVA Code	Bearing Size	
	Drive End	Non-Drive End
G	6312.00	6312.00

*Weights shown are estimated and based on standard foot mounted motor designs

VFD DUTY INFORMATION

Variable Torque	Rating
6 - 60 Hz	Open Drip Proof
-	

Notes:

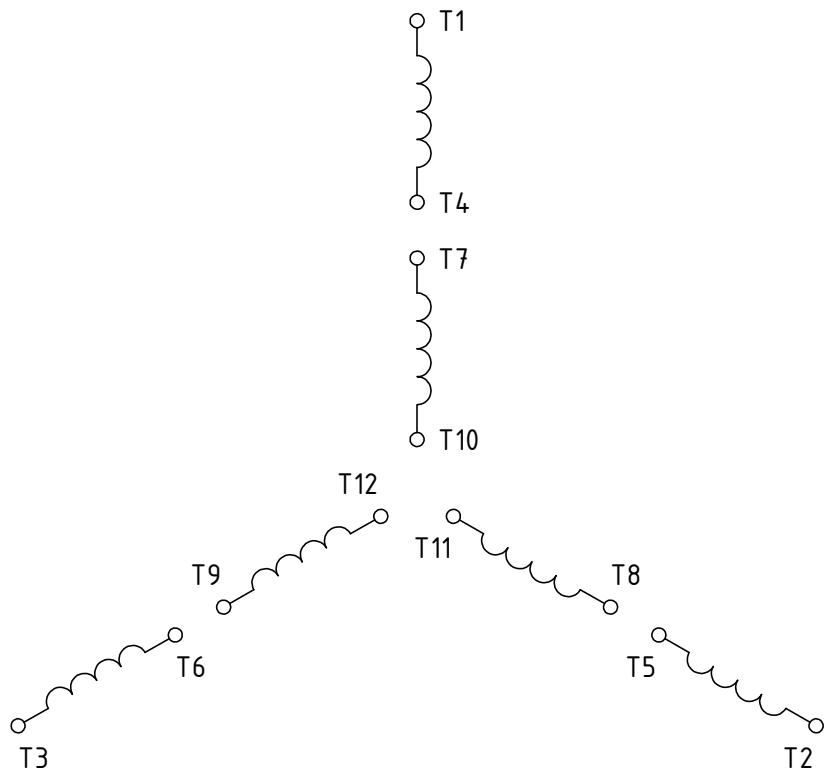


	2F	L2	C
N324T;ODP	10.5	13.268	26.024
N326T;ODP	12	14.764	27.520

MARK	NUMBER	DOCUMENTARY NUMBER	SIGN	DATE
DESIGN			TECHNICS	
DRAWN			STANDARD-IZATION	
COLLATE			APPROVE	
AUDITING			DATE	

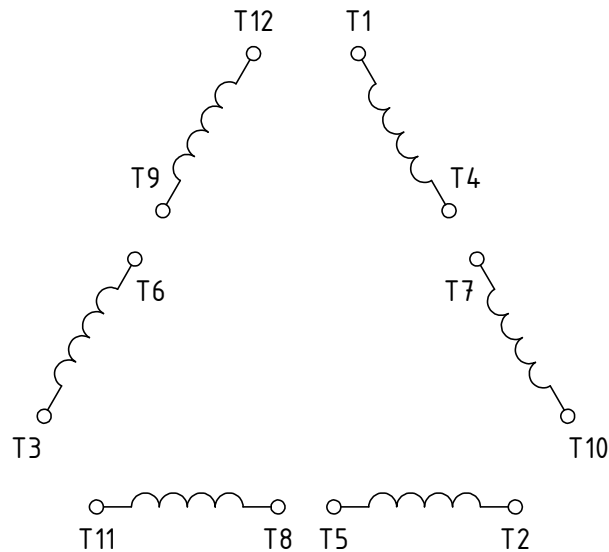
BROOK CROMPTON
Keeping Industry Turning

DRAWING MARK	NUMBER	WEIGHT	PROPORTION
			1:4
TOTAL PAGE		NO.	
N320T;ODP			



STAR/WYE START – DELTA RUN

VOLTAGE		L1	L2	L3	JOIN
LOW	START	T1,T7	T2,T8	T3,T9	T4&T5&T6 T10&T11&T12
	RUN	T1,T6, T7,T12	T2,T4, T8,T10	T3,T5, T9,T11	
HIGH	START	T1	T2	T3	T4&T7; T5&T8; T6&T9; T10&T11&T12
	RUN	T1,T12	T2,T10	T3,T11	T4&T7; T5&T8; T6&T9



DIRECT ON LINE

VOLTAGE	L1	L2	L3	JOIN
LOW	T1,T6, T7,T12	T2,T4, T8,T10	T3,T5, T9,T11	
HIGH	T1,T12	T2,T10	T3,T11	T4&T7; T5&T8; T6&T9

Description
 CONNECTION DIAGRAM, NEMA MARKINGS
 DUAL VOLTAGE, SERIES-PARALLEL DELTA

Drawing No.
 12L-33582-N

