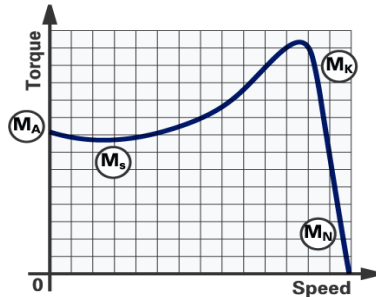
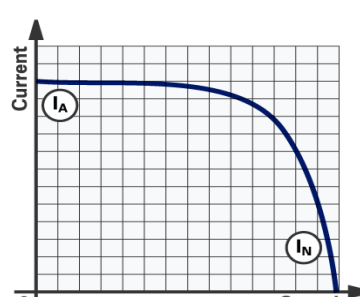

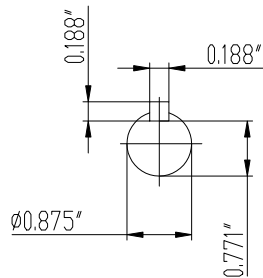
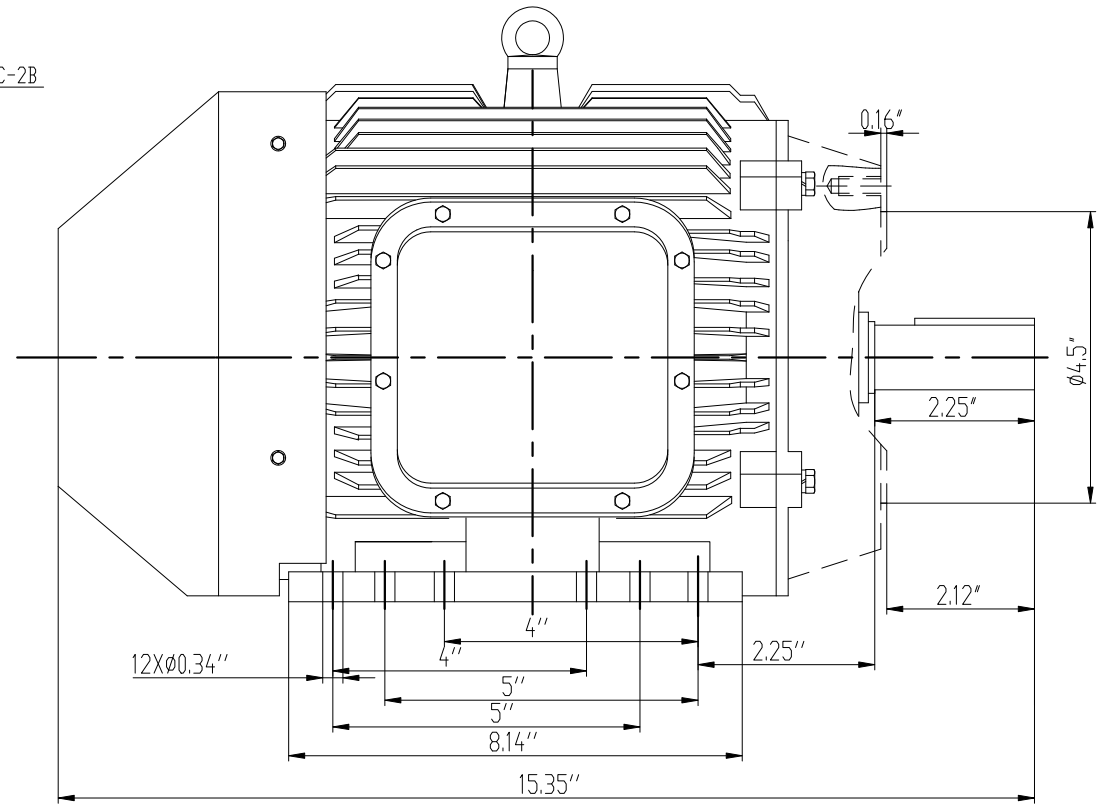
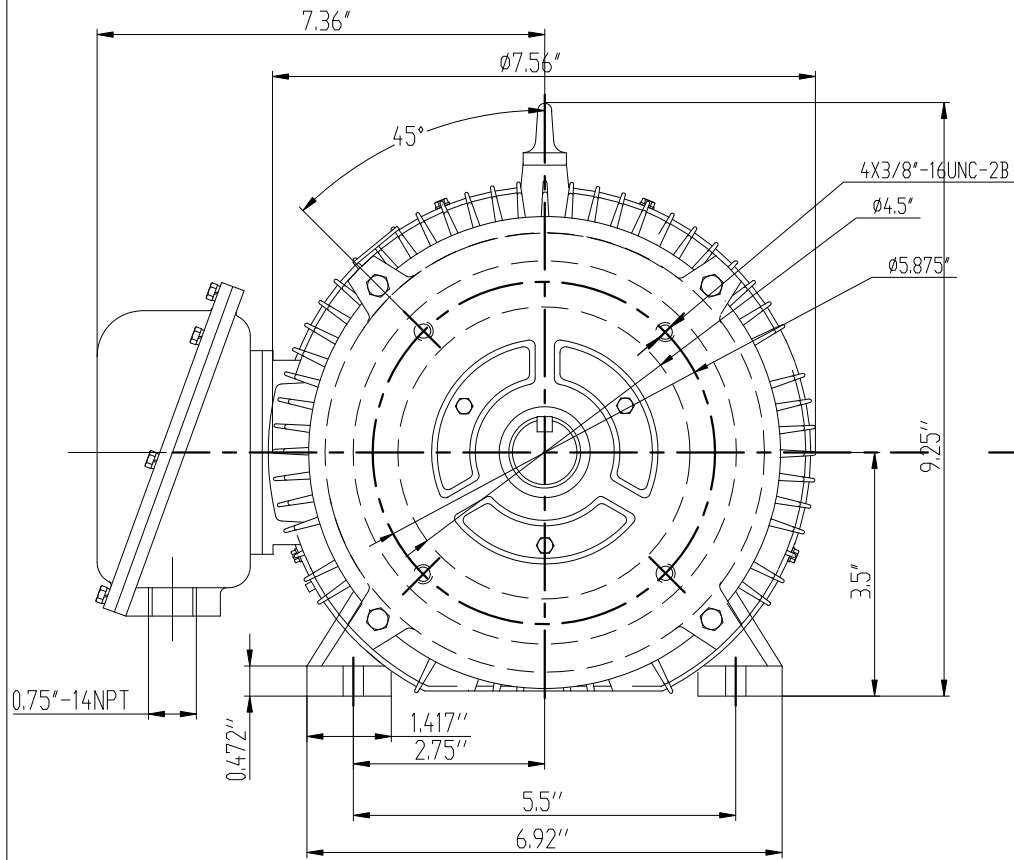


Motor Data Sheet

Supplied To.				Type Code <i>MC4N001-9</i>		Frame Ref. 143T	
Manufacturing Standard <i>NEMA MG-1, IEEE841</i>				Starting Method		Output 1 Hp	
Frame Material <i>Cast Iron</i>		Mounting <i>F1/F2</i>		Supply 460 V		Connection type Y	
All Data Below based on 460V @ 60hz				VFD Duty <i>Variable torque 10:1 Constant torque 5:1</i>			
Item No.				L.R. PF 0.505		Amps @460V 1.4	
Sales order / Line no.				N.L. amps 0.3		Hertz 60	
Account No.				N.L. PF 0.2		Poles/rpm 4 / 1800	
Load (Hp)		Full	3/4	1/2	Duty S1		Cooling Code TEFC/IC411
Efficiency		85.5	84.5	81.3	Efficiency <i>PREMIUM</i>		Insulation F
Power Factor		0.79	0.79	0.76	Phase 3		Service Factor 1.15
Amps (Ia) at 460V		1.4	1.0	0.8	cos Ø 0.79		IP 55
Speed (rpm)		1773	1767	1777	Noise pressure level at 1m no load 60 dB(A)		
Speed / Torque Curve 				Temperature rise Class B		DE bearing Ref. 6205/C3	
				NDE bearing Ref. 6205/C3		Lubrication grease	
FLT (Mn)		2.9		ft-lb		Rotor inertia 0.0067 kgm/sq	
LRT (DOL) (Ma/Mn)		2.2	FLT	6.5	Vibration levels less than 1.8 mm/sec		
LRT (DOL) 80% V		1.4	FLT	4.1	Shaft details Ø 0.875" x 2.25" LONG EXT'N		
PUT (Ms/Mn)		1.2	FLT	3.5	T.Box entry 0.75"-14NPT		
POT (Mk/Mn)		4.1	FLT	12.1			
Speed / Current Curve 				Motor weight (Approx. net) 70.56 lb		L.R. Time hot 25.2 secs	
LRC (DOL) (Ia/In)				7.7	FLC	22.6	amps
LRC (DOL) 80% V				4.9	FLC	7	amps
External inertia (WR^2)				KGM^2		L.R. Time cold 61.9 secs	
No of starts/Hr with above inertia						A.R.T. 100% Volts 25.2 secs	
Starting time with above inertia				Secs		A.R.T. 80% Volts 37.3 secs	
Remarks						Number of terminals 3 wire	
						NEMA Design letter N	
						Maximum volts drop at start: 20%	
						Maximum Altitude 3300 ft	
						Ambient temp range -20 - 40 °C	
						Thermal time constant 90 Minutes	
						Direction of rotation CW/CCW/BI	
						Winding thermistors fitted As Option °F	
						Winding thermostats fitted As Option °F	
						Anti condensation heaters --- Volts	
						Drawing number 1AP.050.0389.3WXY	
						Certifying Authority CSA (C=US)	
						Certificate No.	
						Marking  Class 1 Div 2 Grps A,B,C,D	

1AP.050.0551.1-6WX



				1AP.050.0551.1-6WX	
				NSHE140 MOTOR	
				WEIGHT	SCALE
					1:1
				F-1	
				 Keeping Industry Turning	
LET.	REVISION	BY	DATE		
DESIGN	REN XIADHUA				
REVIEW	XIE XIADLONG				
APPROVE	YU JIABIN				
DATE	20170526				